

Rider 18,20 ProFlex

Spare parts

Ersatzteile

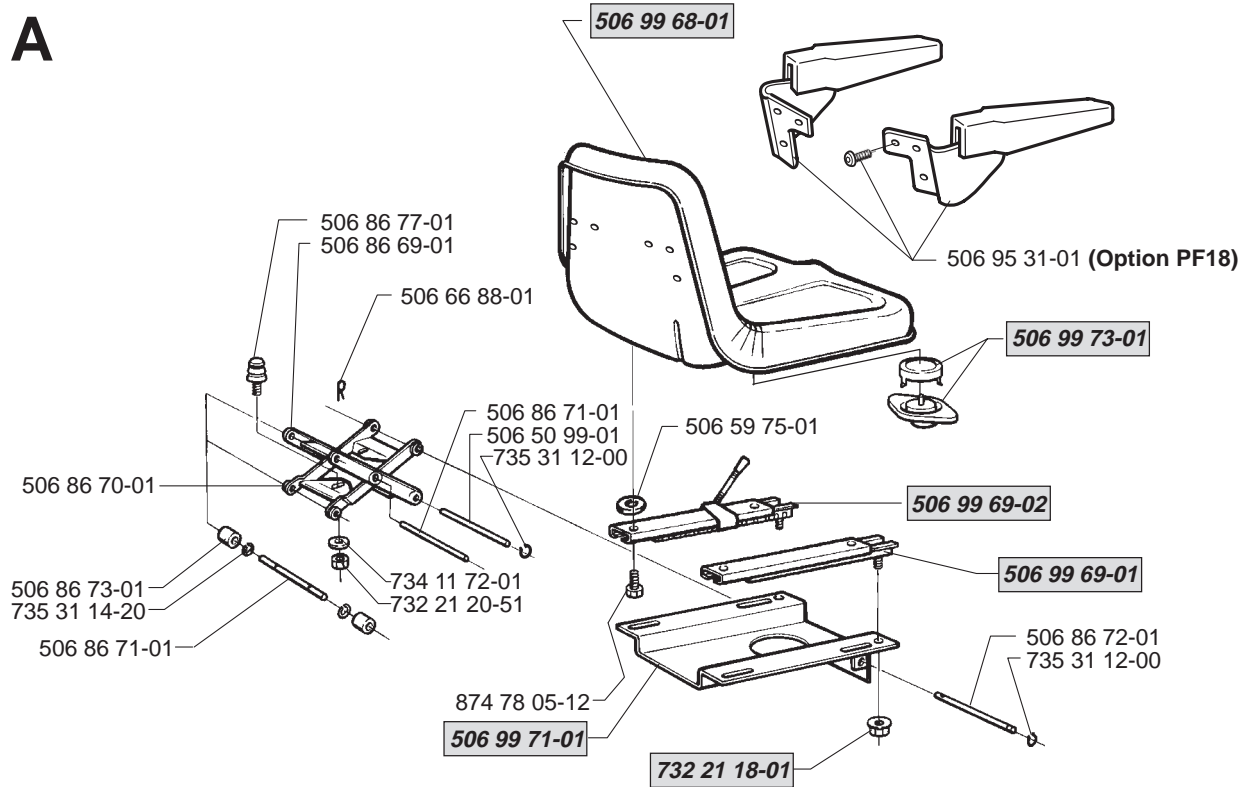
Pièces détachées

Reserve onderdelen

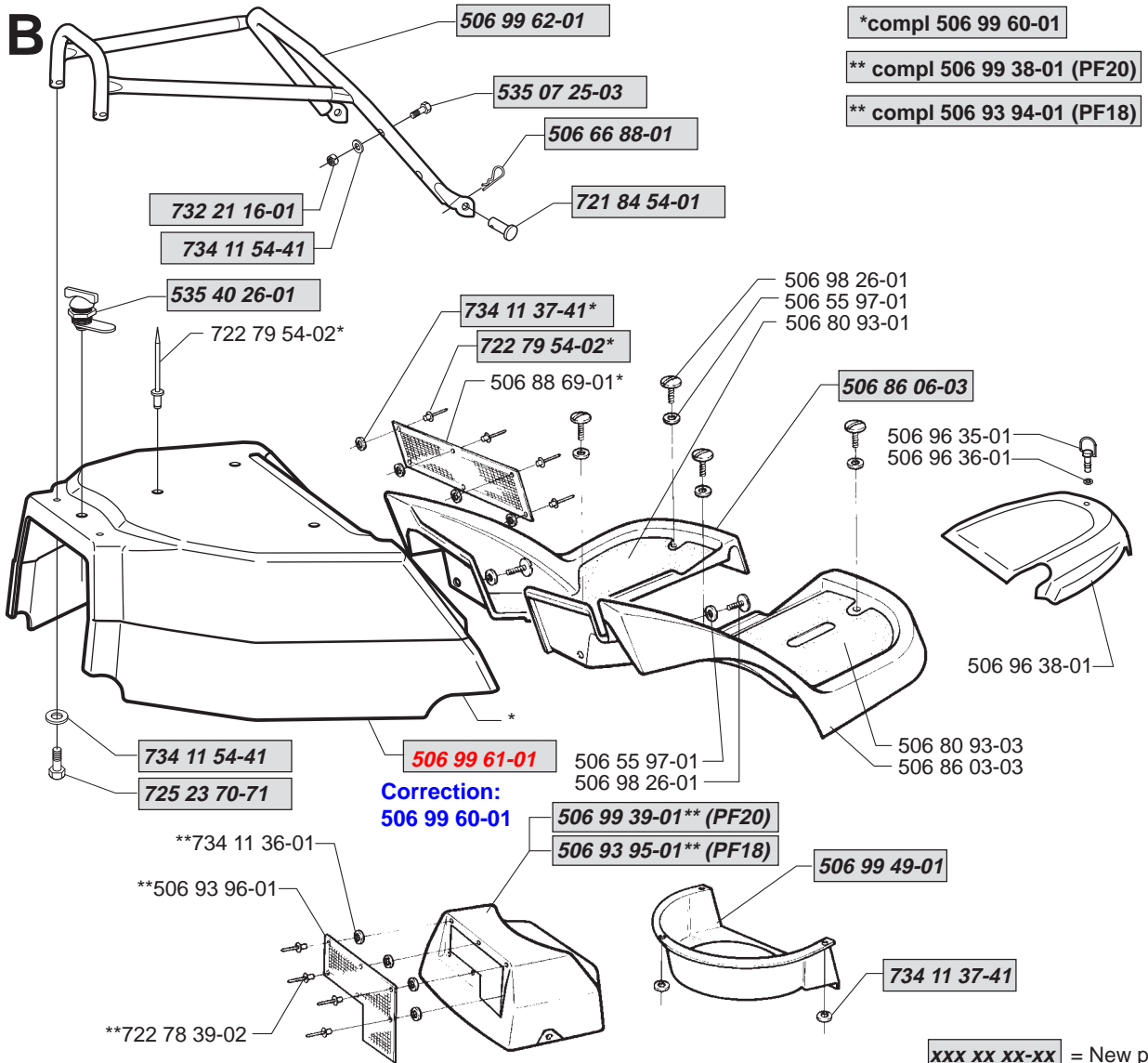
Repuestos

Reservdelar

A



B



*compl 506 99 60-01

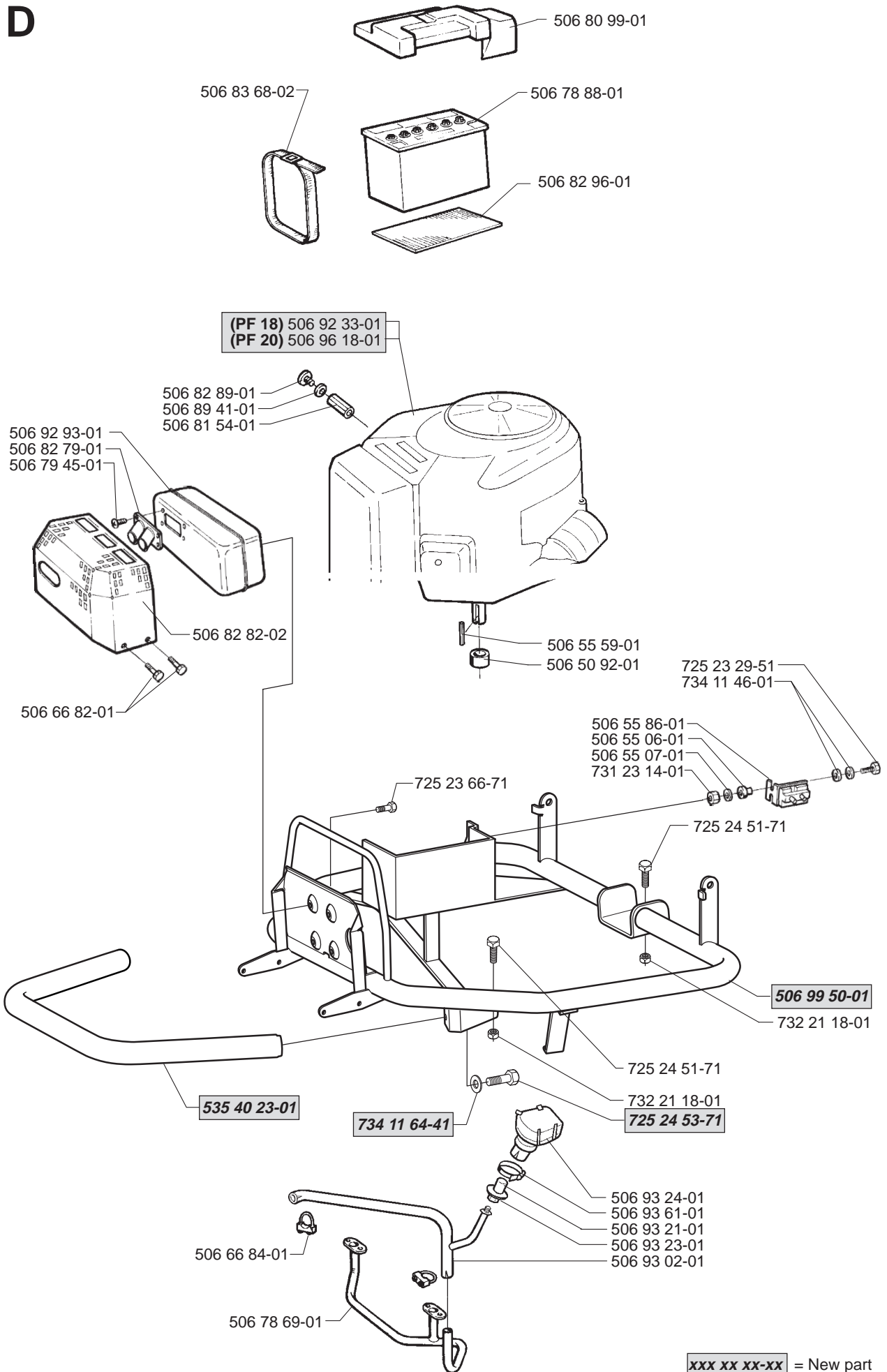
** compl 506 99 38-01 (PF20)

** compl 506 93 94-01 (PF18)

Correction:
506 99 60-01

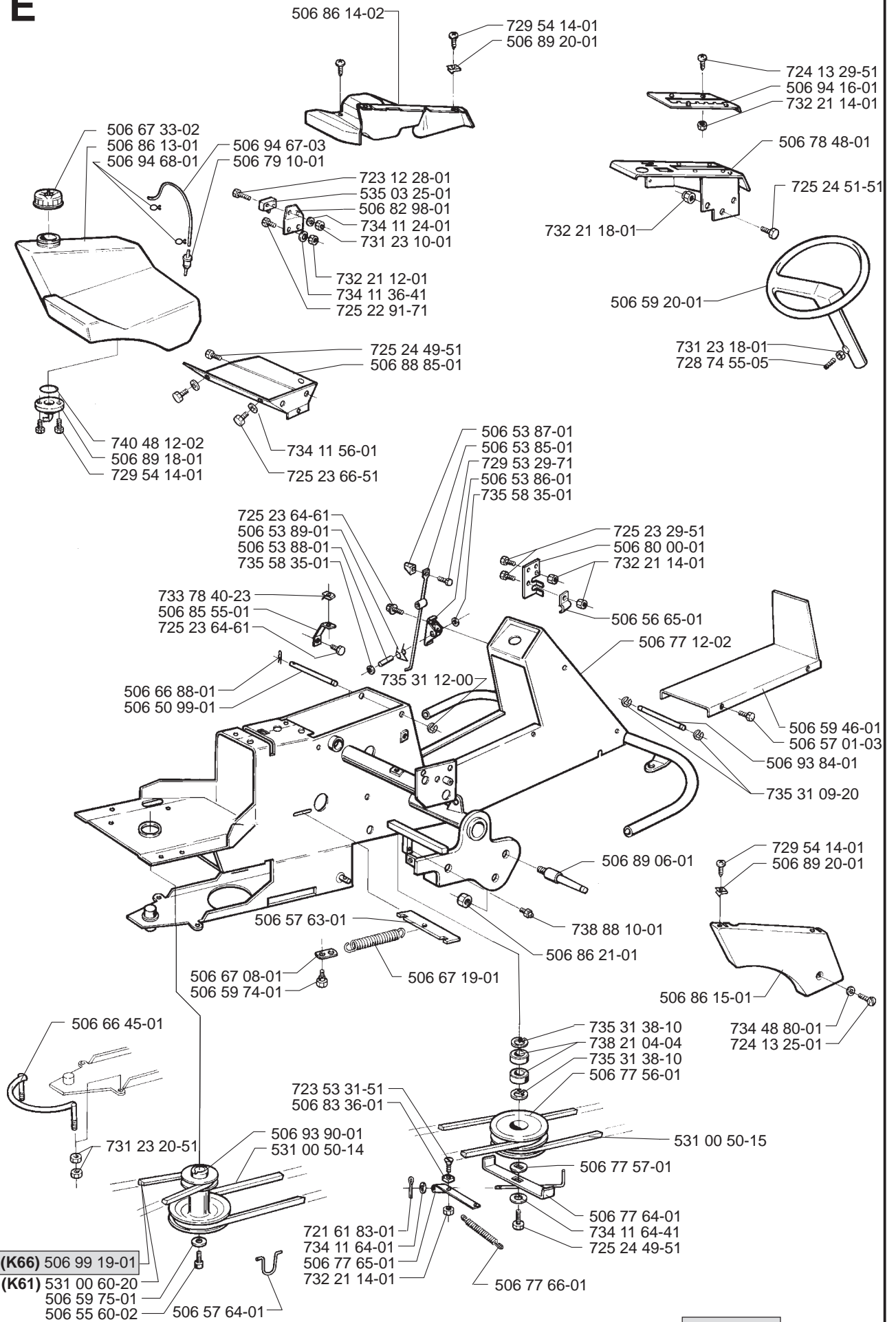
xxx xx xx-xx = New part

D



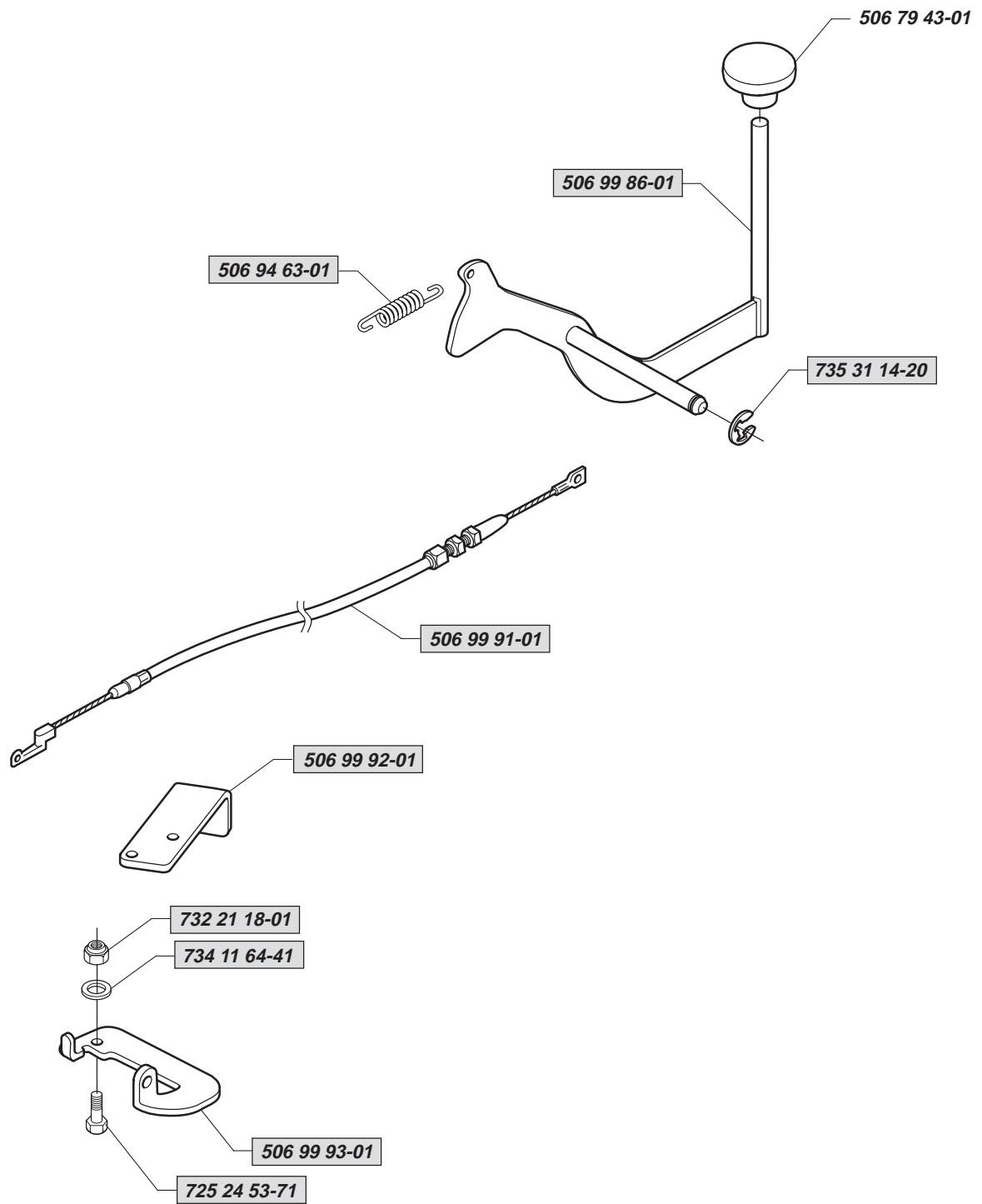
xxx xx xx-xx = New part

E

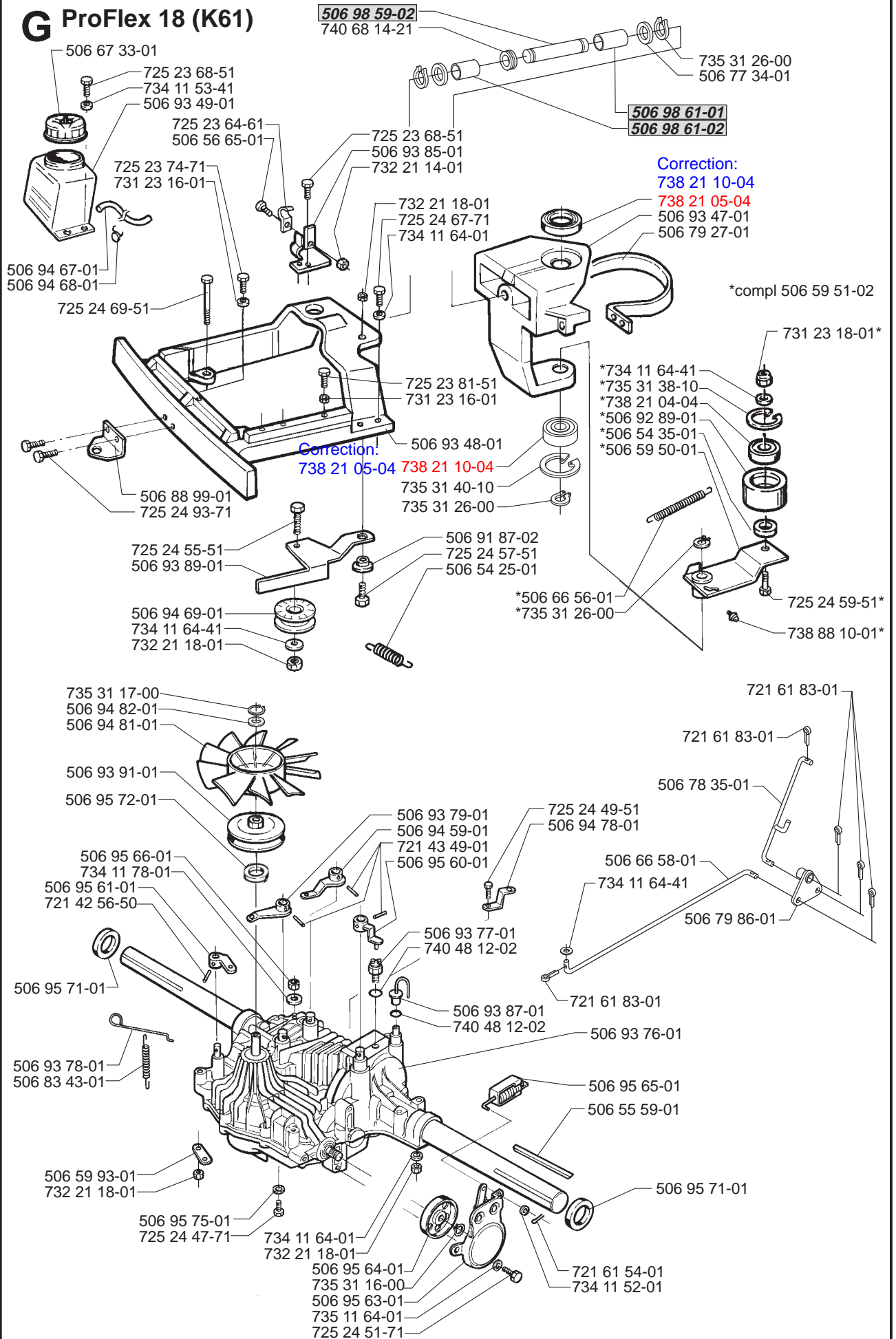


- (K66) 506 99 19-01
- (K61) 531 00 60-20
- 506 59 75-01
- 506 55 60-02
- 506 57 64-01

xxx xx xx-xx = New part



G ProFlex 18 (K61)



506 98 59-02
740 68 14-21

506 98 61-01
506 98 61-02

Correction:
738 21 10-04

738 21 05-04
506 93 47-01
506 79 27-01

Correction:
738 21 05-04

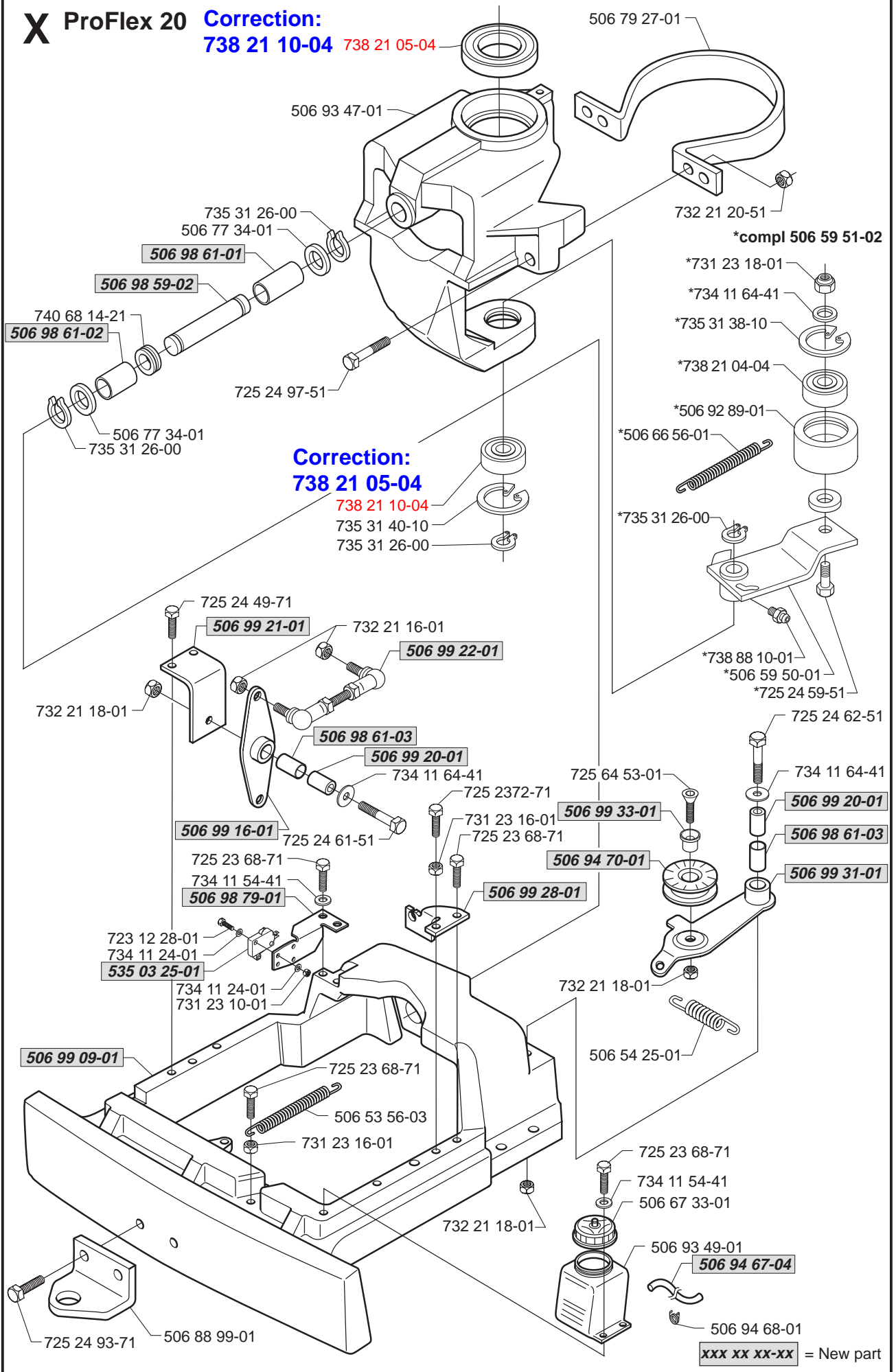
738 21 10-04

*compl 506 59 51-02

xxx xx xx-xx = New part, Neues teil, Nouvelle piece, Nueva pieza, Ny detalj

X ProFlex 20 **Correction:**

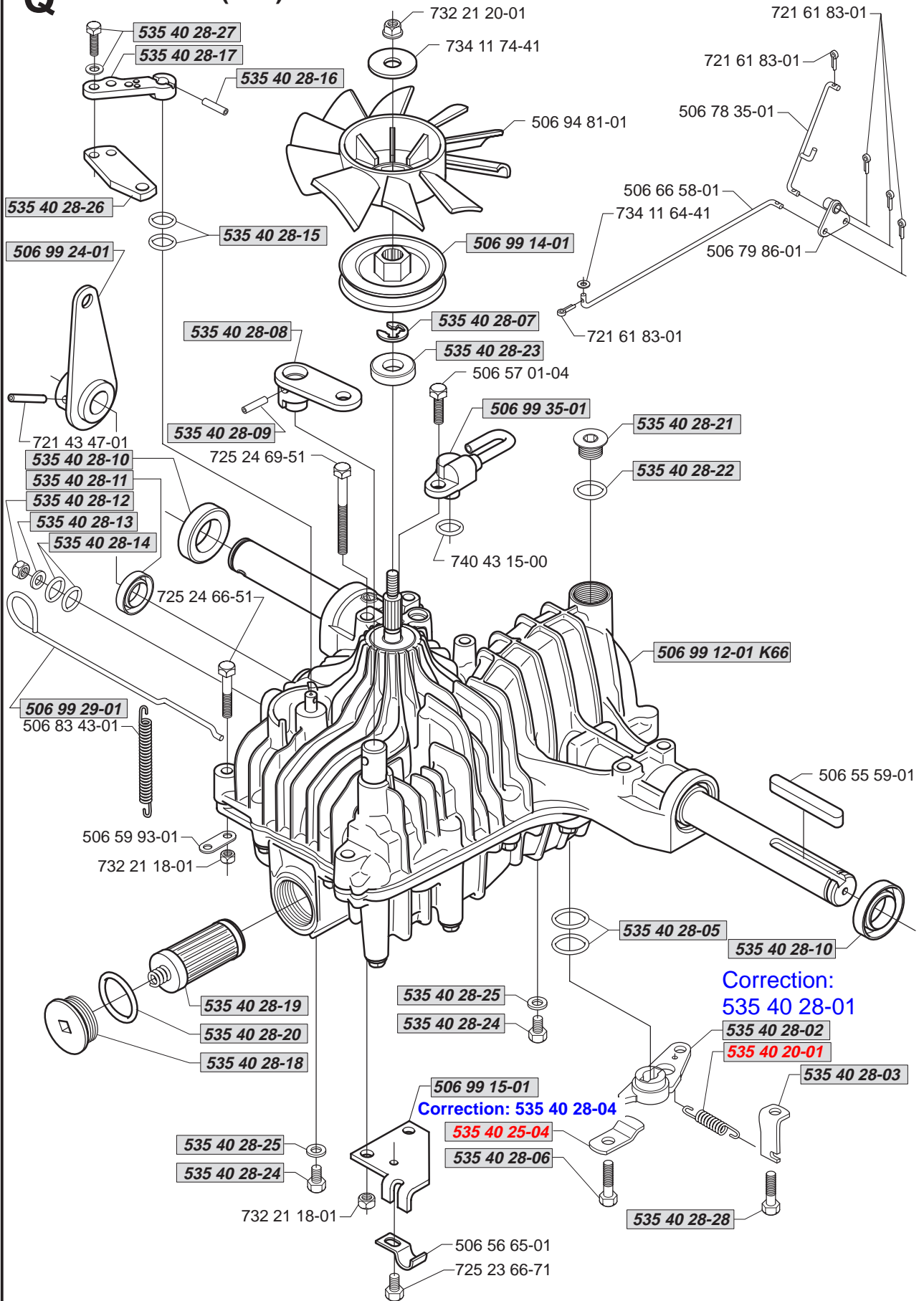
738 21 10-04 738 21 05-04



xxx xx xx-xx = New part

Q

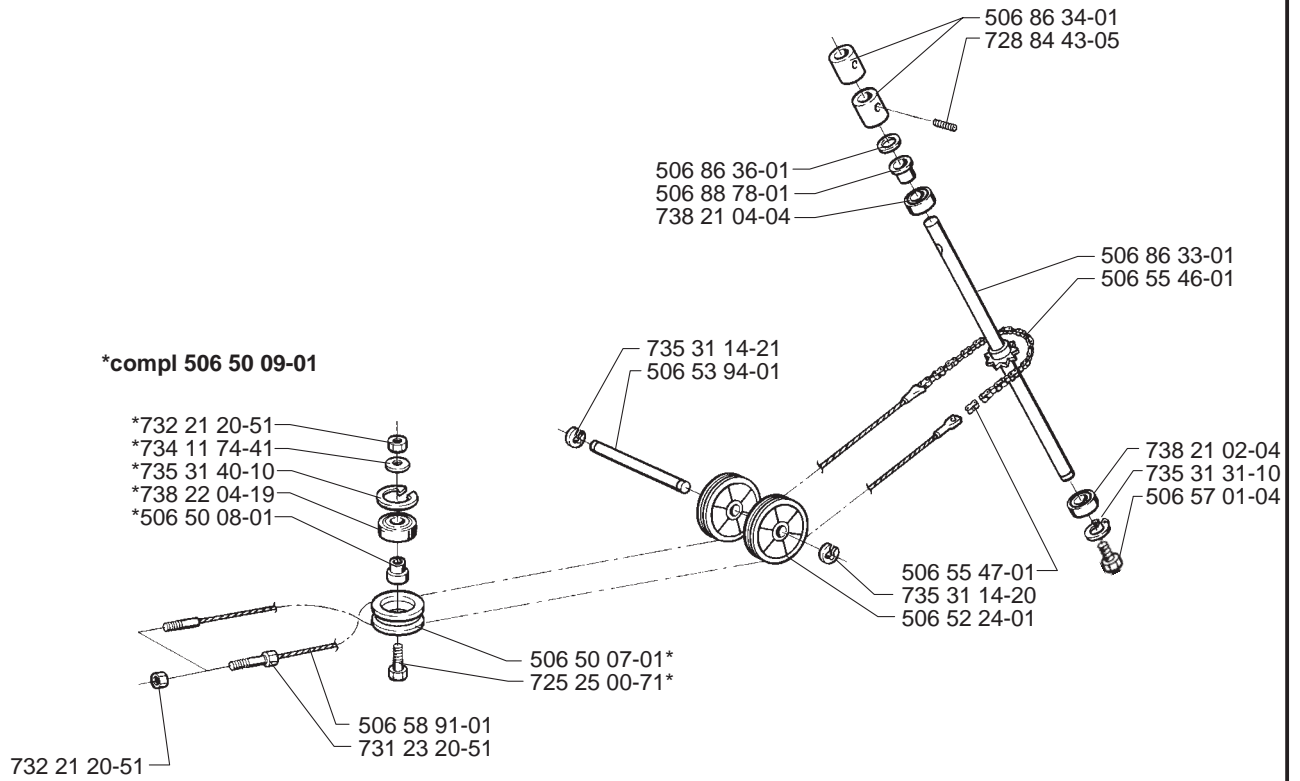
ProFlex 20 (K66)



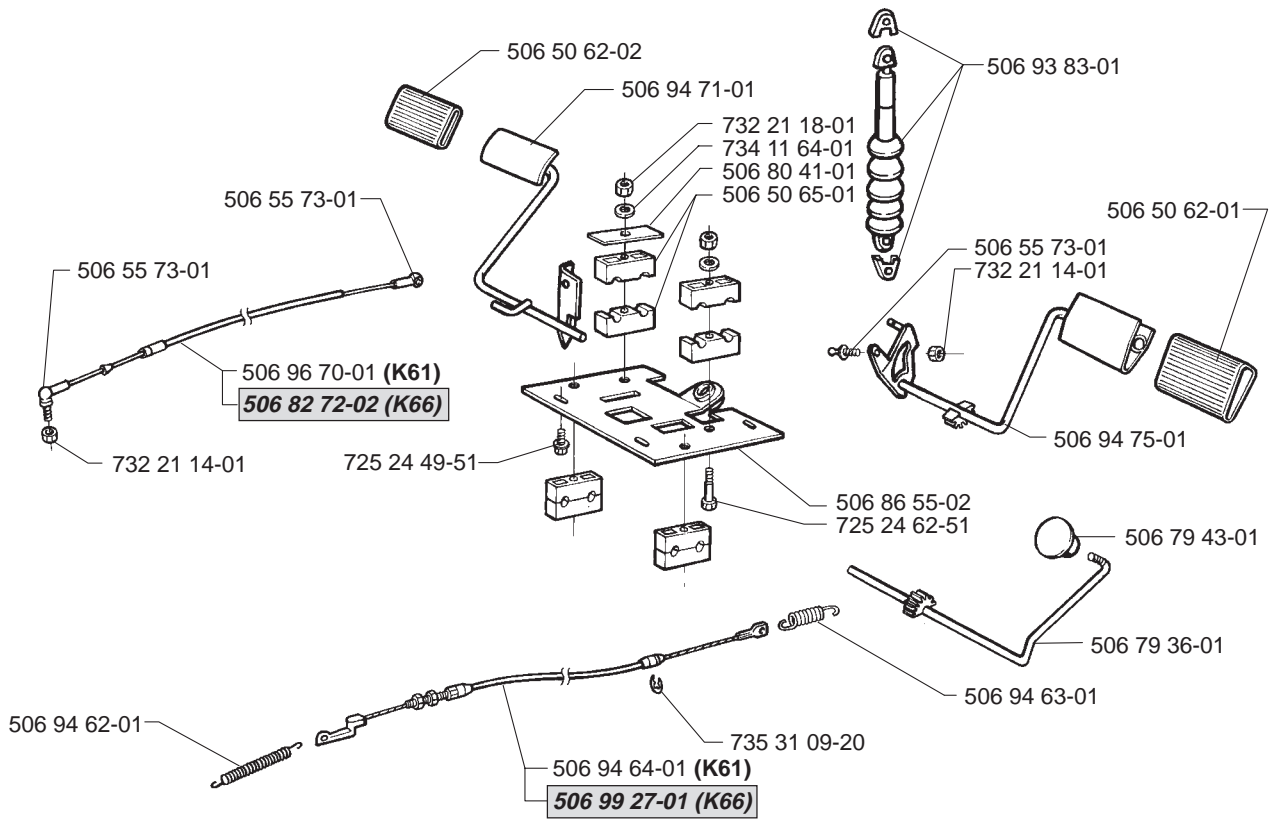
Correction:
535 40 28-01
535 40 28-02
535 40 20-01

Correction: 535 40 28-04
535 40 25-04
535 40 28-06

F

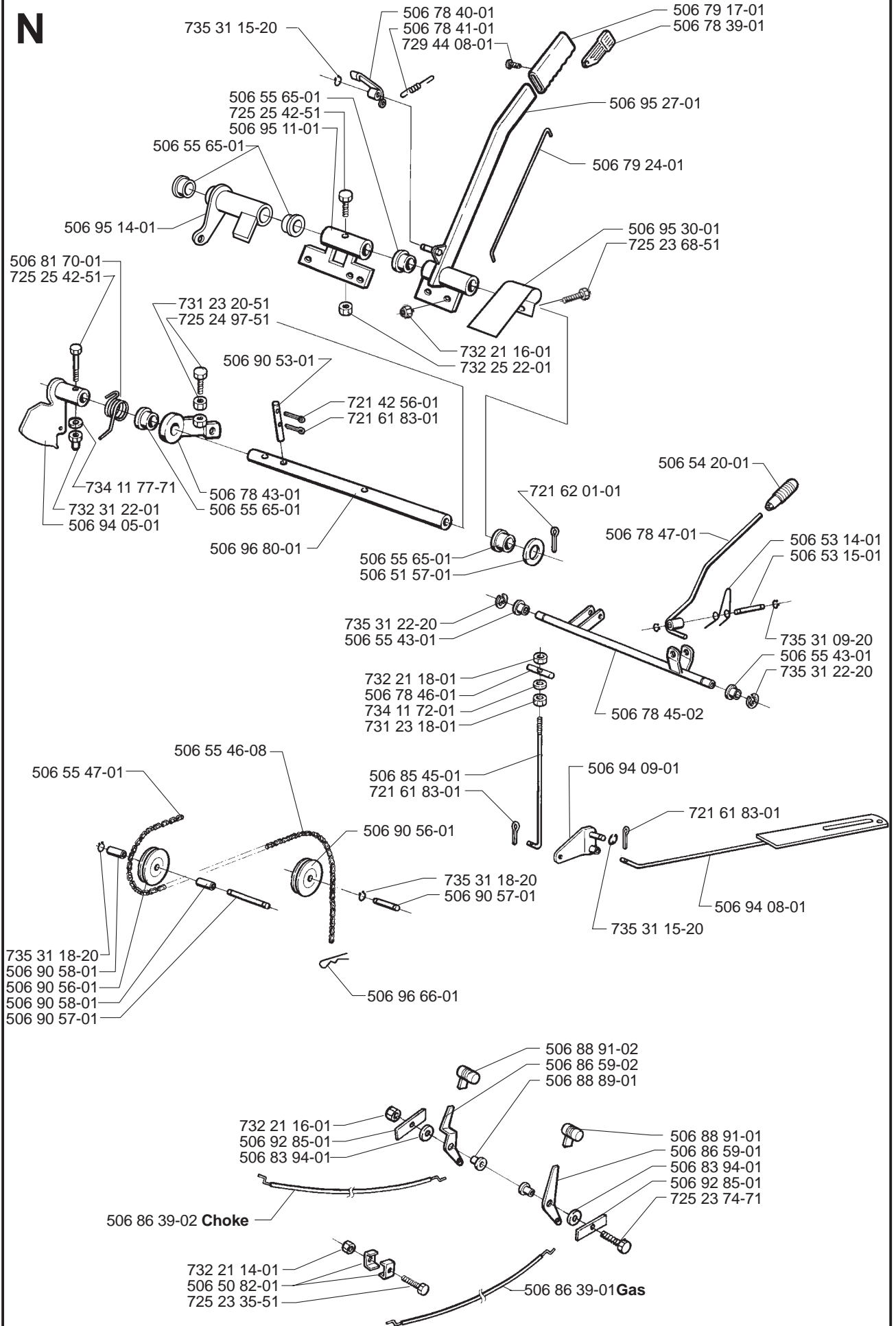


H



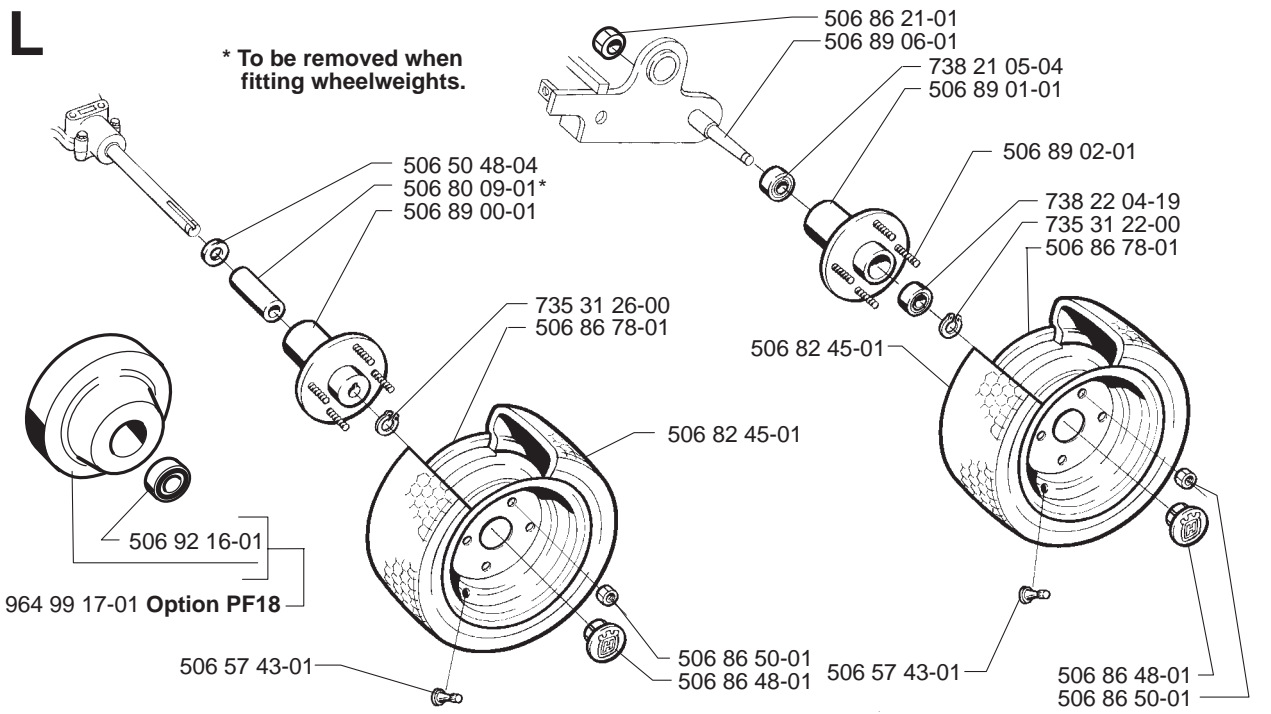
XXX XX XX-XX = New part

N

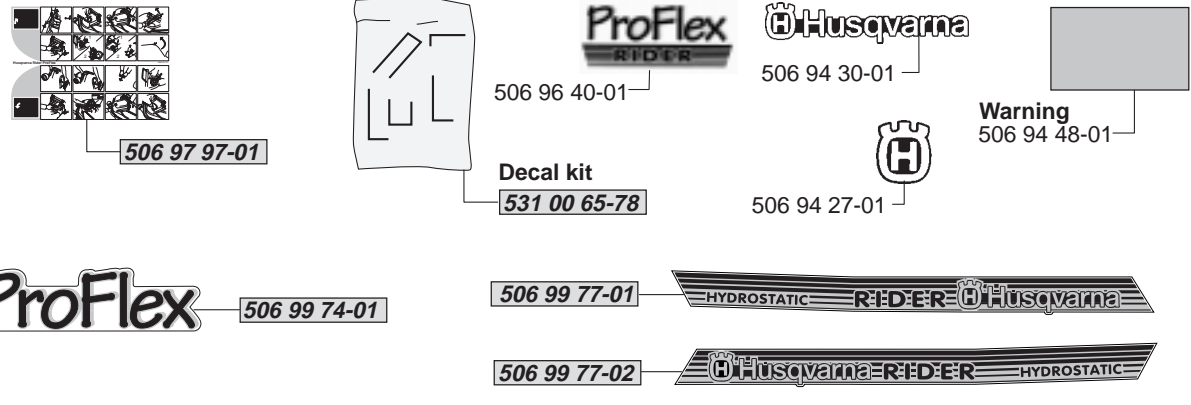


XXX XX XX-XX = New part, Neues teil, Nouvelle piece, Nueva pieza, Ny detalj

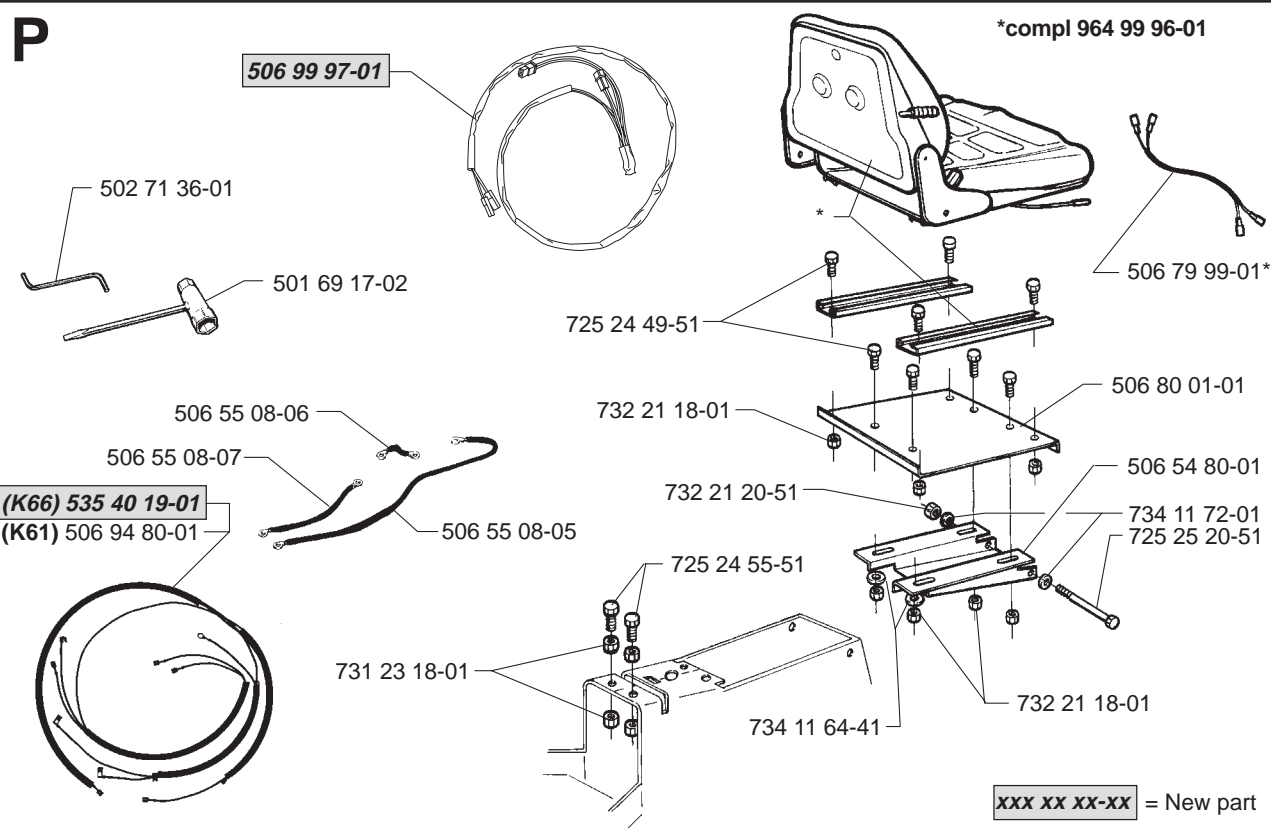
L



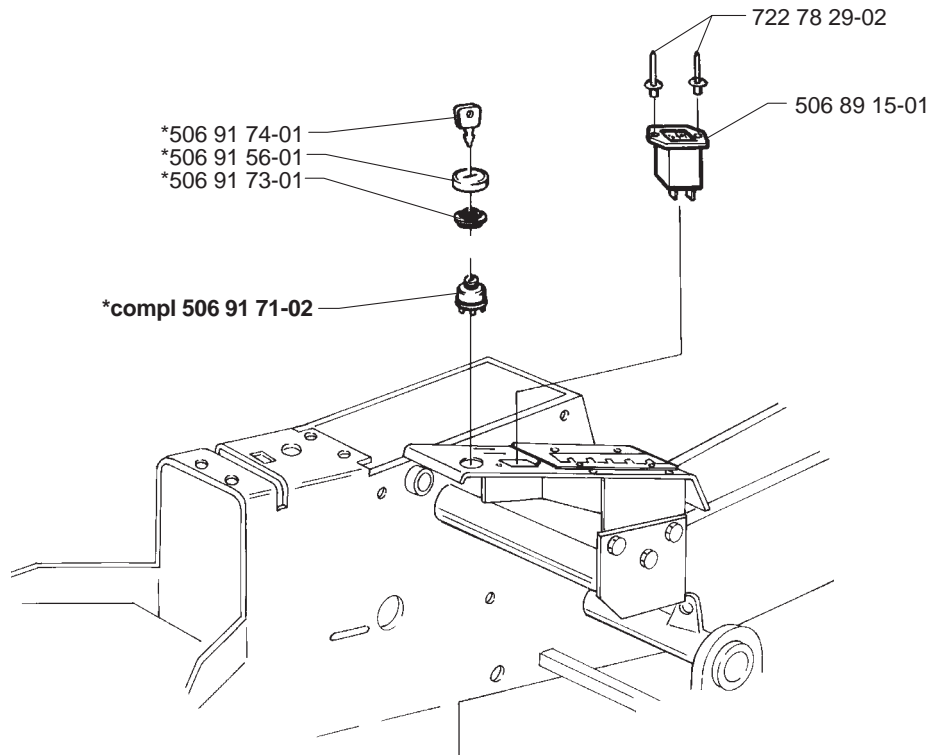
M



P

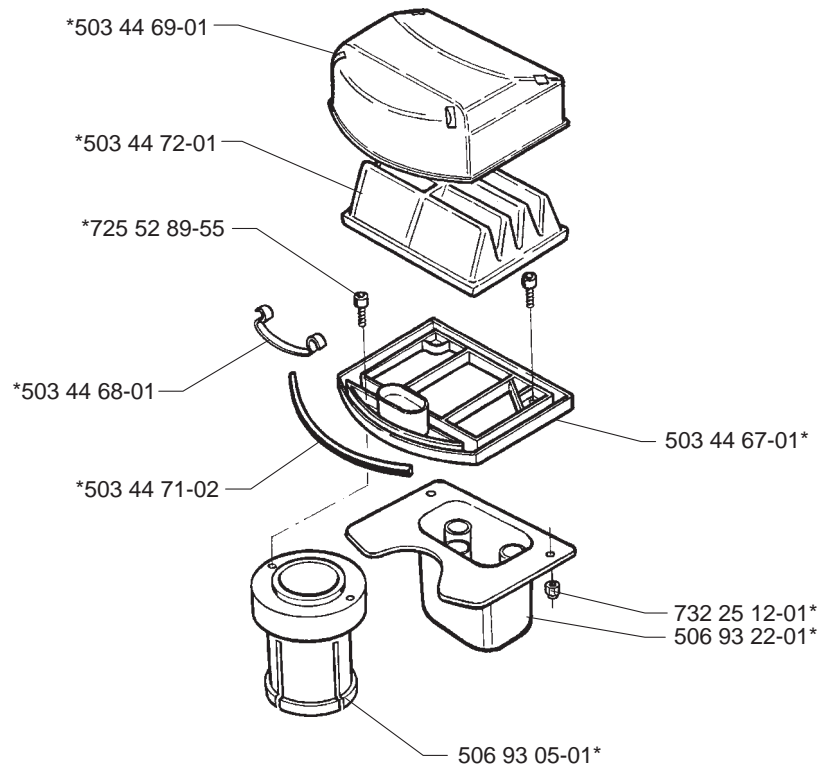


C



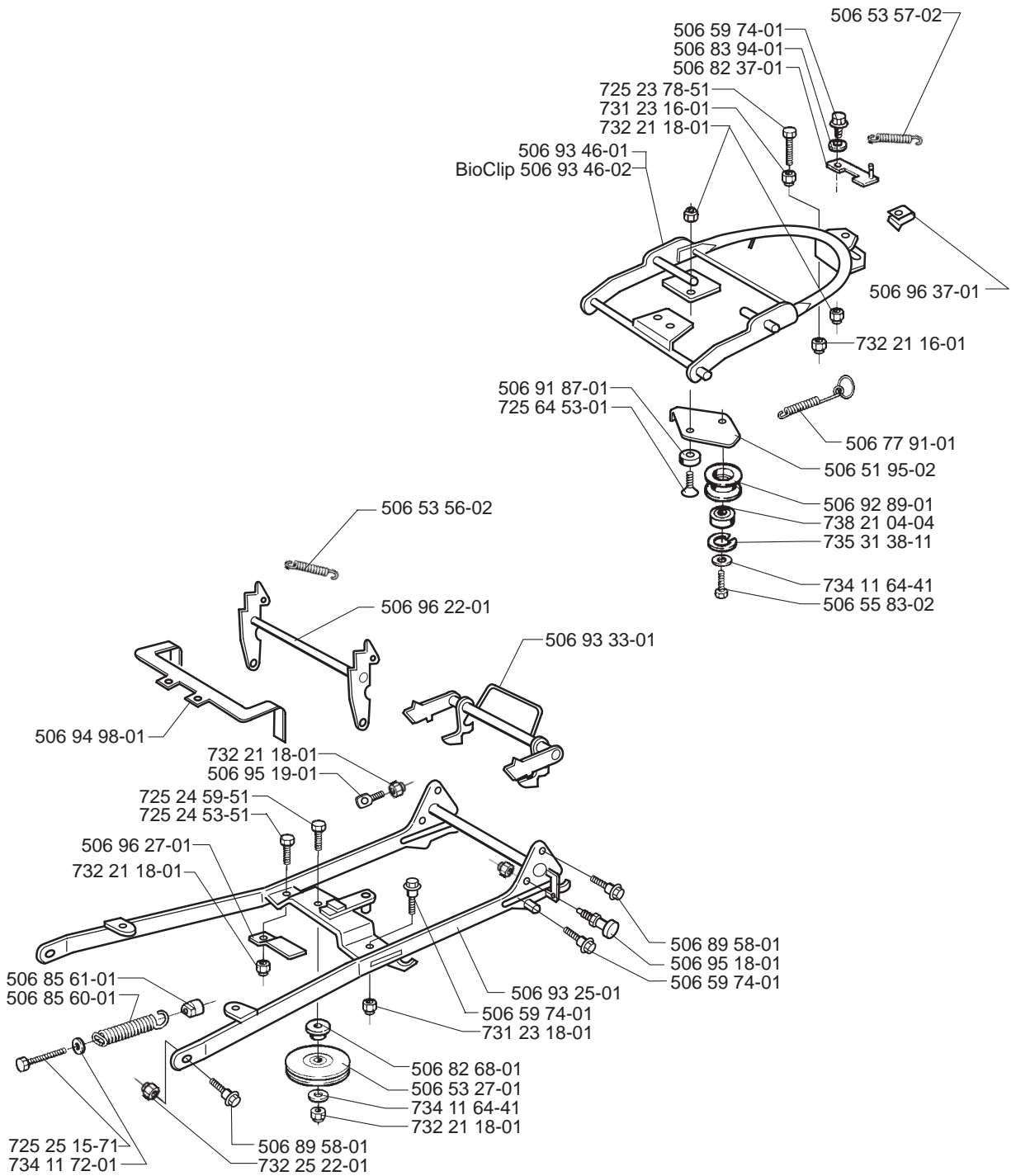
R

*compl 506 93 24-01

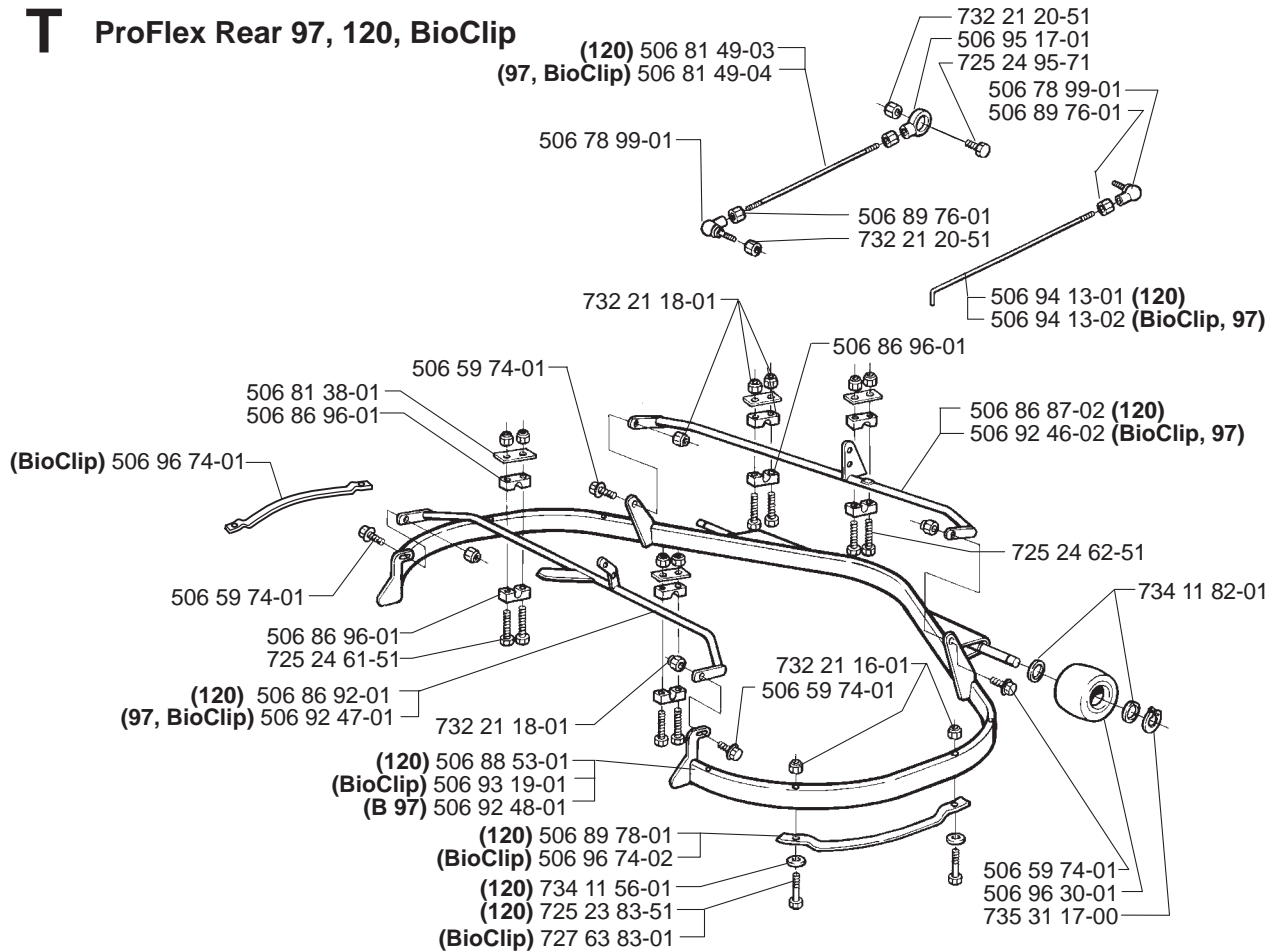


xxx xx xx-xx = New part

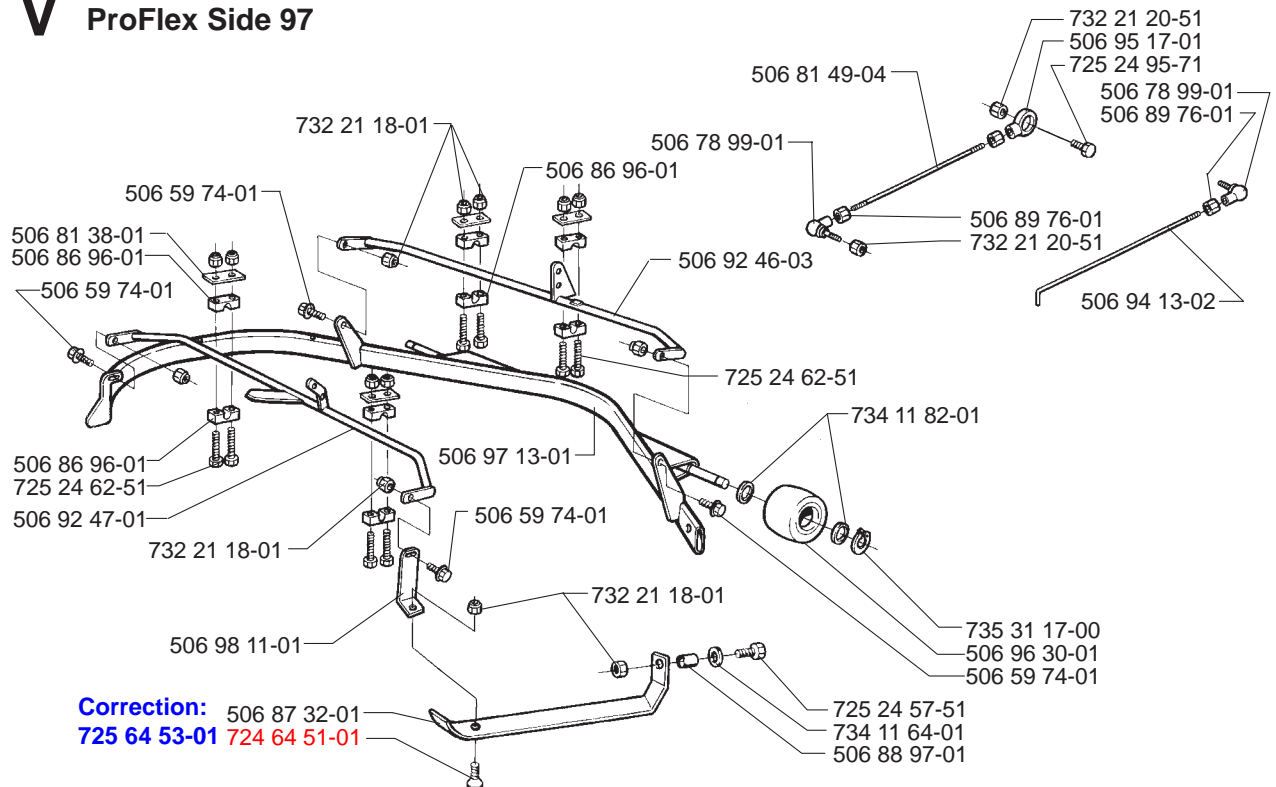
K



T ProFlex Rear 97, 120, BioClip



V ProFlex Side 97

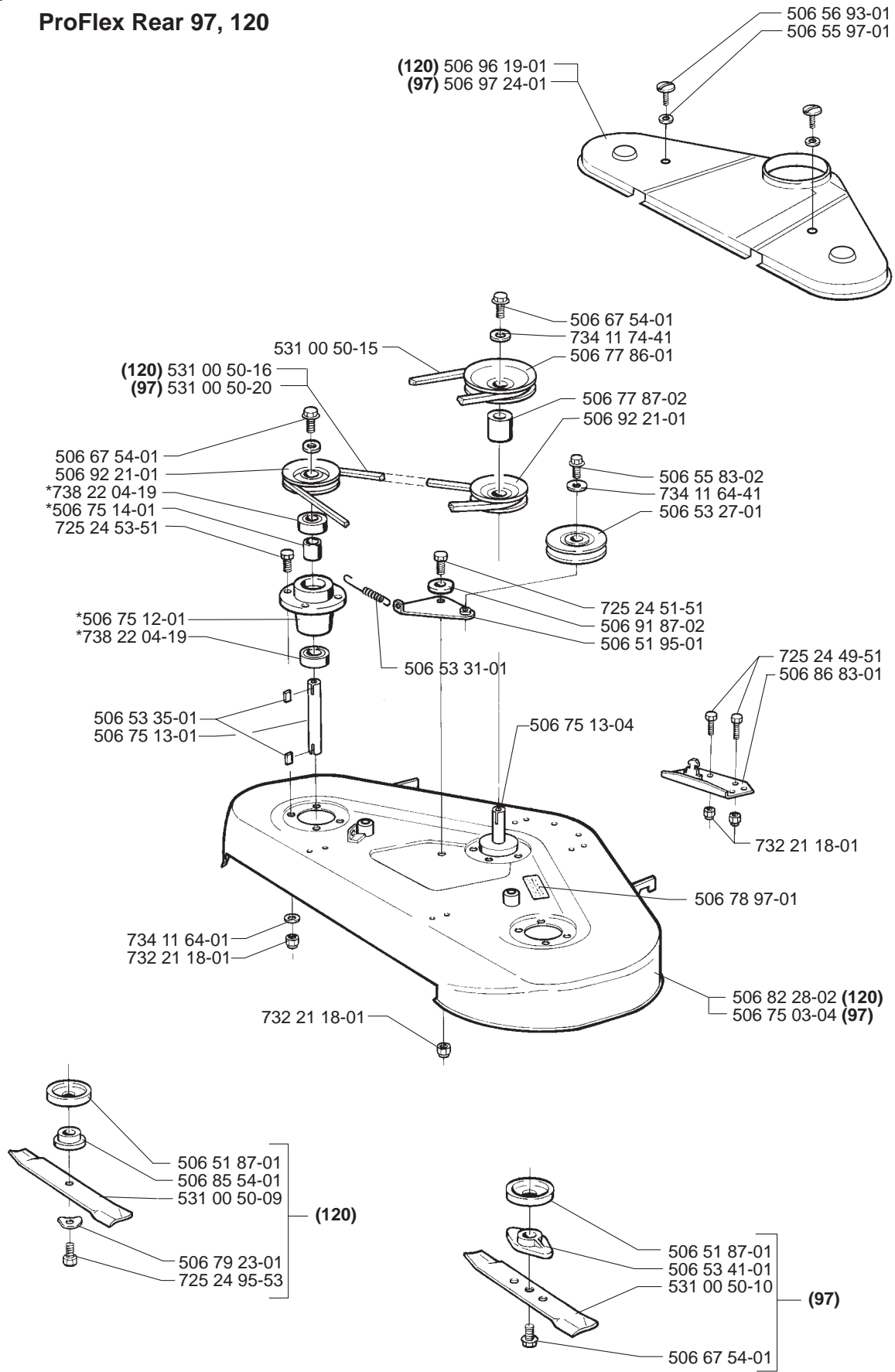


xxx xx xx-xx = New part

J

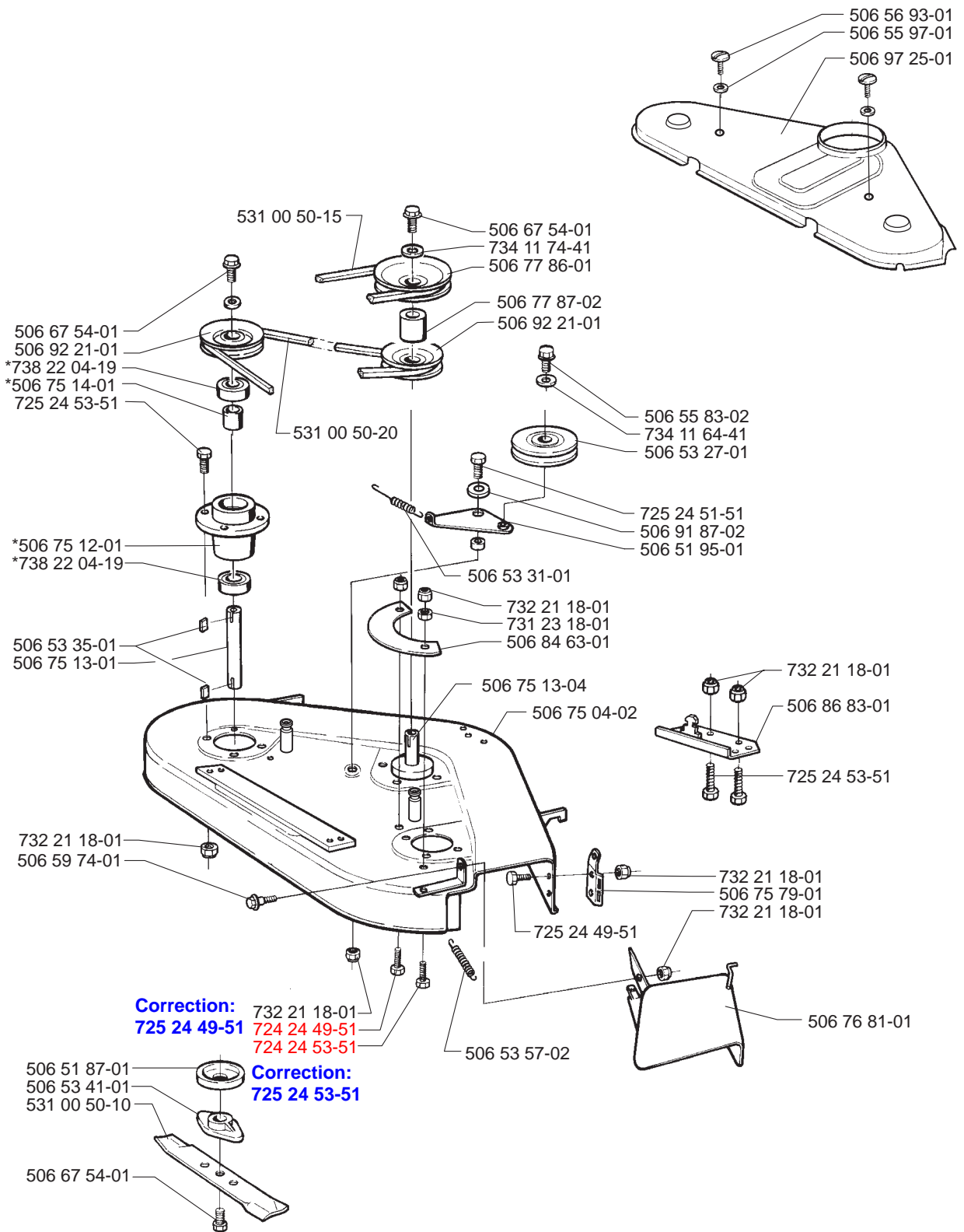
*compl 506 75 11-01 Yttre. Outer. Exterior. Äusser. Ulko.
 *compl 506 75 11-04 Mitten. Centre. Centre. Zentrum. Keski.

ProFlex Rear 97, 120



xxx xx xx-xx = New part

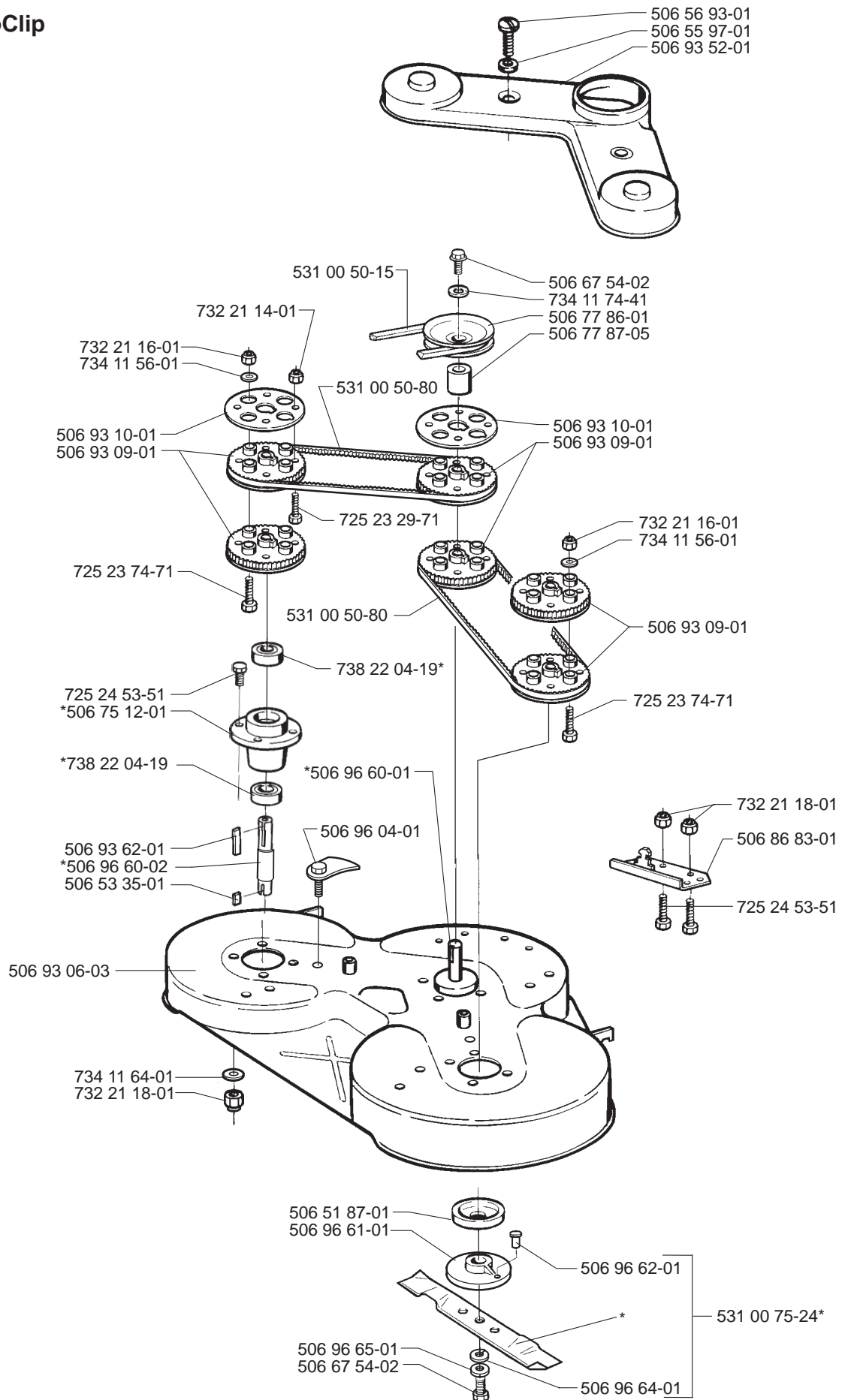
U ProFlex Side 97



*compl 506 75 11-01 Yttre. Outer. Exterieur. Äusser. Ulko.
*compl 506 75 11-04 Mitten. Centre. Centre. Zentrum. Keski.

S

*compl 506 75 11-07 (a)
 *compl 506 75 11-06 (b)

BioClip

(a) = Yttre. Outer. Exterieur. Äusser. Ulko.
 (b) = Mitten. Center. Centre. Zentrum. Keski.

xxx xx xx-xx = New part